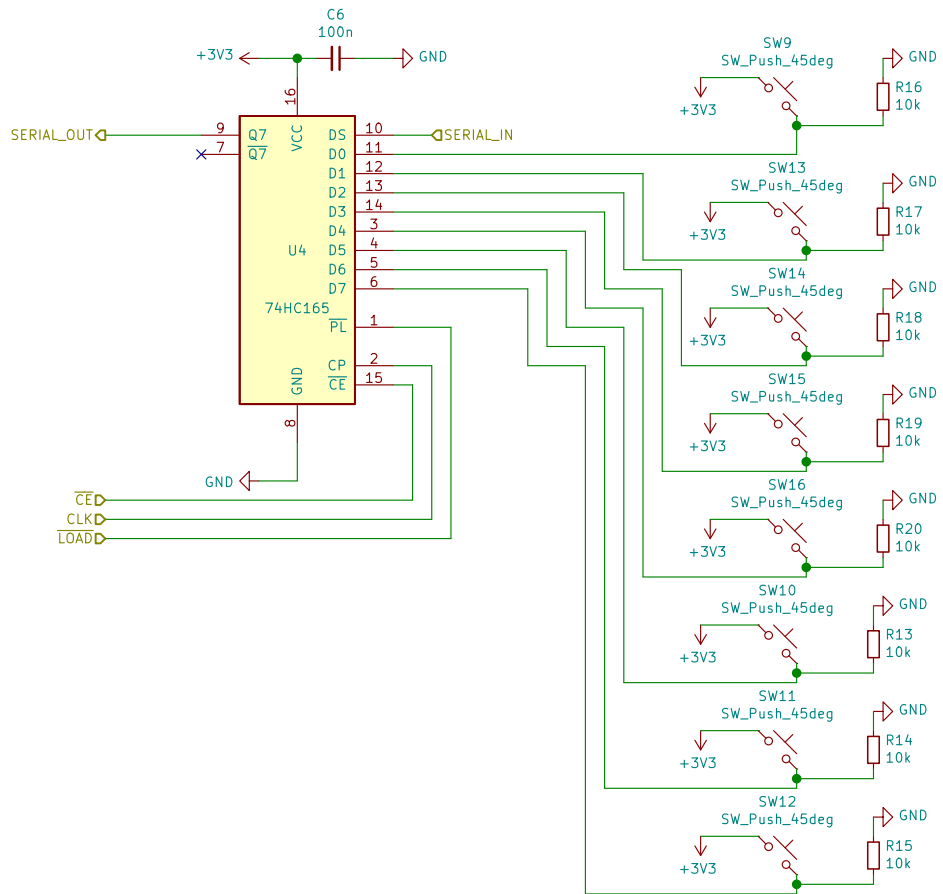


Sheet: /8 Key Module/
 File: 8-key-module.sch

Title:

Size: A4 Date:
 KiCad E.D.A. kicad 5.1.9+dfsg1-1bpo10+1

Rev:
 Id: 2/3



Sheet: /8 Key Module #2/
 File: 8-key-module.sch

Title:

Size: A4 Date:
 KiCad E.D.A. kicad 5.1.9+dfsg1-1bpo10+1

Rev:
 Id: 3/3